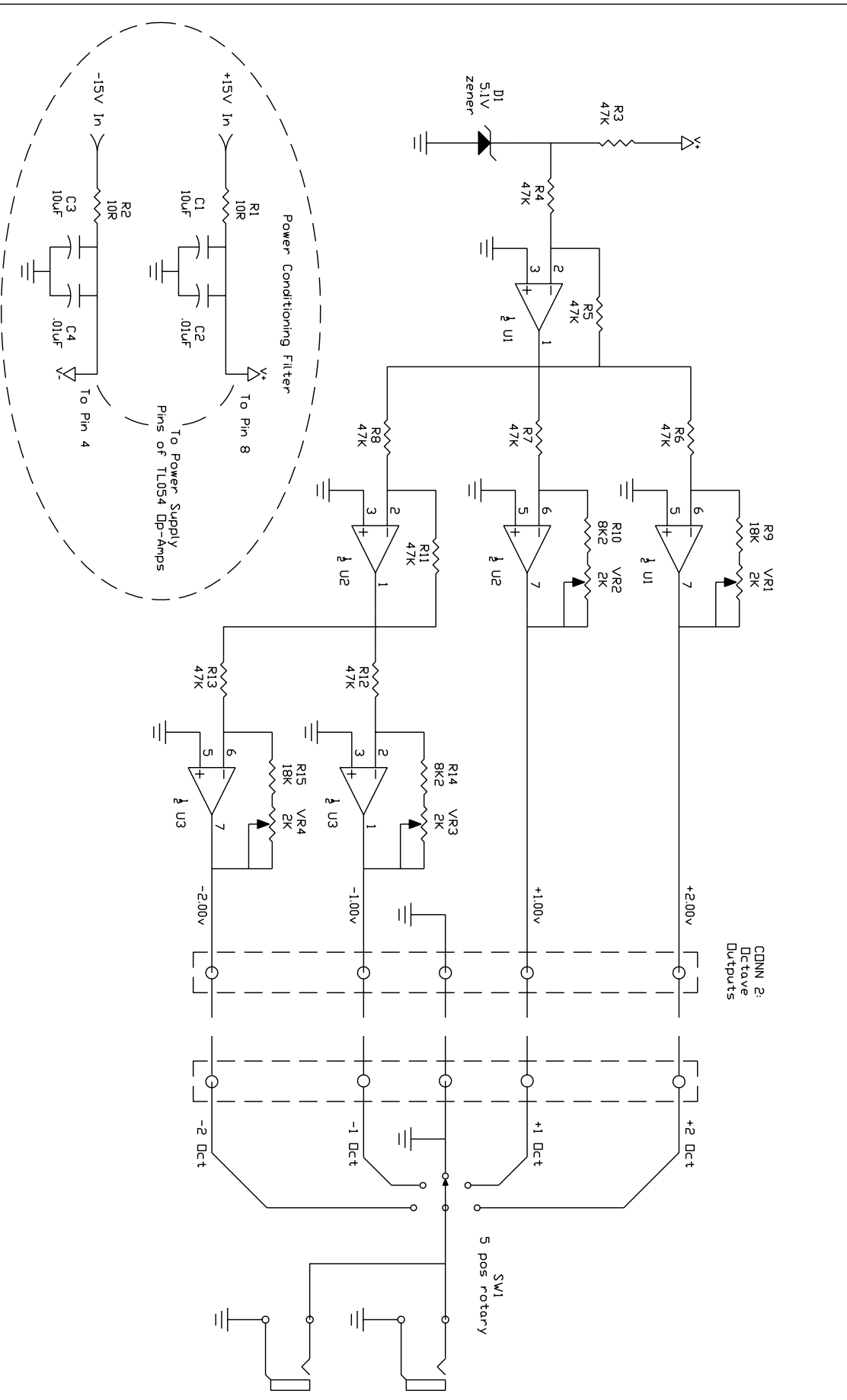


DCT-1A

Faceplate Layout:
 +/- Octave Switch
 Based on design
 by Blacet Labs

By Dave Magnuson

Revision 1
 1/27/2006



DCT-1A

Schematic:
 +/- Dctave Switch
 Based on design
 by Blacet Labs

By Dave Magnuson

Revision 1
 1/27/2006

